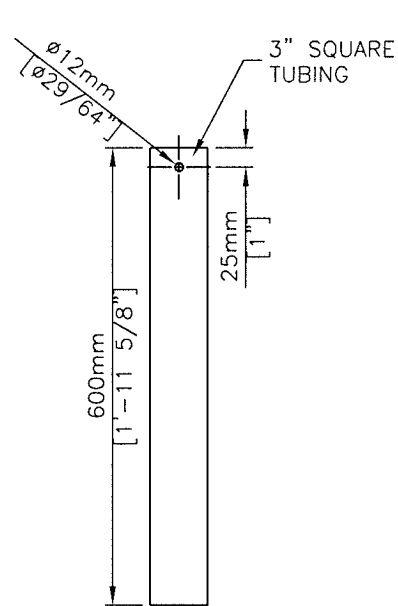
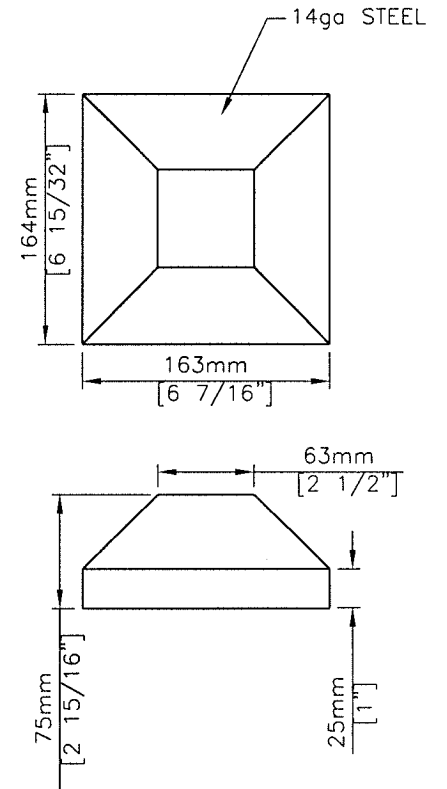


STAND FRONT VIEW

STAND SIDE VIEW



SLEEVE SIDE VIEW



COVER PLATE DETAIL
SCALE 1:5

NOTES:
1. BICYCLE STAND AND COVER PLATE
TO BE GALVANIZED

PLAN DESCRIPTION/REVISIONS	
4	
3	
2	
1	ISSUED FOR TENDER
DRAWN BY <u>BAJ</u>	
DATE <u>2012-FEB-15</u>	
SCALE : HOR. <u>1:10</u> VERT. <u> </u>	



City of Saskatoon
Infrastructure Services Department

BICYCLE STAND
SLEEVE INSTALATION

APPROVED
[Signature]
GENERAL MANAGER

[Signature]
ENGINEER

[Signature]
ENGINEER

PLAN NO. 102-0038-002r001