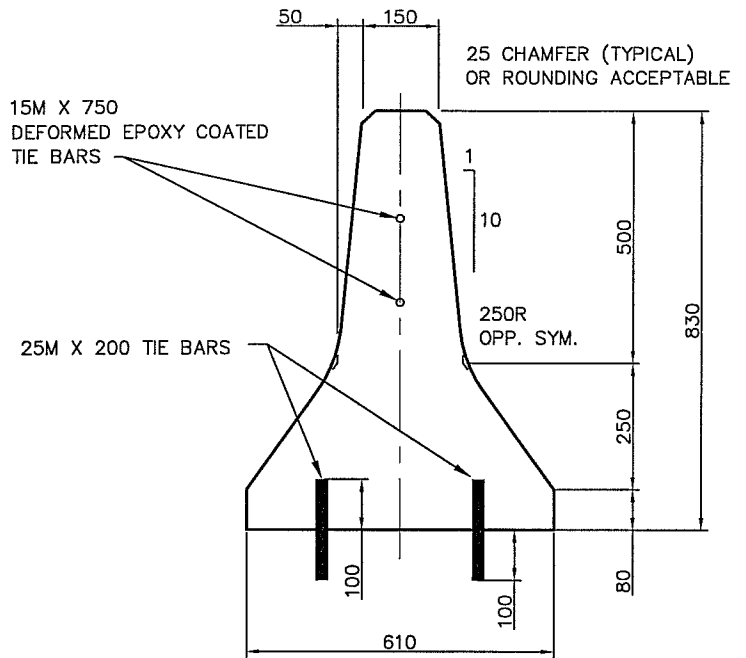
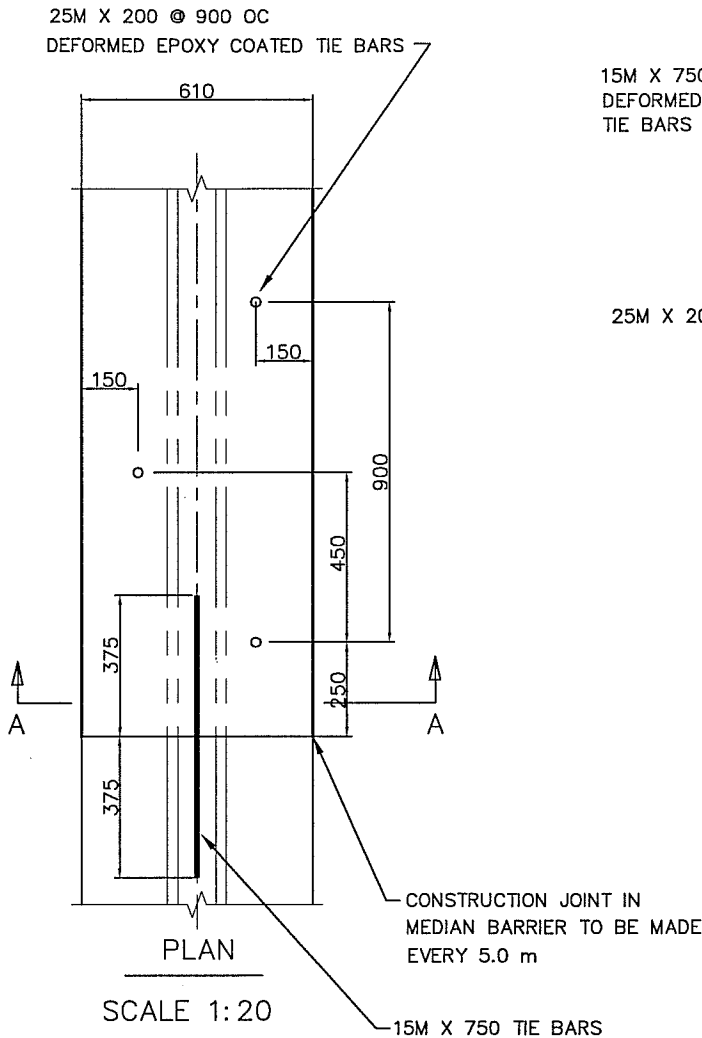


C:\General Projects\Development Standards\1020006004r001\_UKN.dwg, Layout1, 2011/01/24 10:36:25 AM



SECTION A-A  
SCALE 1:15

NOTE: ALTERNATE CROSS SECTIONS IN GENERAL COMPLIANCE  
WITH DIMENSIONS WILL BE CONSIDERED BY THE ENGINEER


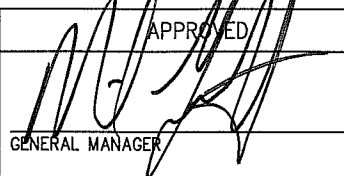

INSTALL LIGHT POLE BASES AND CONDUITS PRIOR TO SLIPFORMING

SLIPFORM OVER TOP OF POLE BASES. ONCE MACHINE IS PAST, IMMEDIATELY REMOVE  
CONCRETE OVER POLES BASE AND CLEAN THOROUGHLY

MEDIAN BARRIER SLOPED END TREATMENT

AS PER COS BARRIER TRANSITION  
102-0002-044r001\_UKN.DWG

ALL DIMENSIONS IN MILLIMETRES  
UNLESS OTHERWISE NOTED

PLAN DESCRIPTION/REVISIONS			APPROVED	
4	XXX XXX		 GENERAL MANAGER	 ENGINEER
3				
2				
1				
DRAWN BY <u>LCI</u> DATE <u>2010-DEC-20</u>		<b>830 MEDIAN BARRIER SLIP-FORMED CONCRETE</b>		
SCALE : HOR. <u>1:10</u> VERT. _____		PLAN NO. <b>102-0006-005r001</b>		